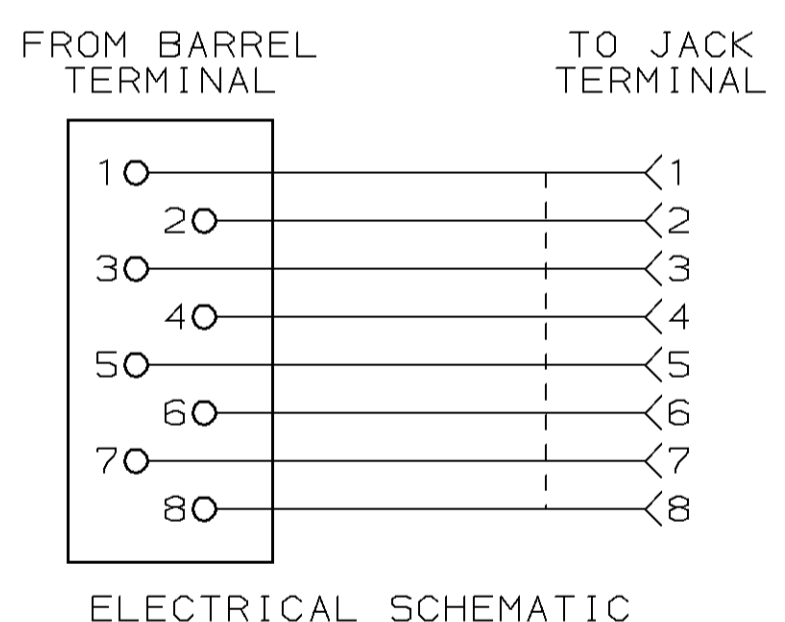
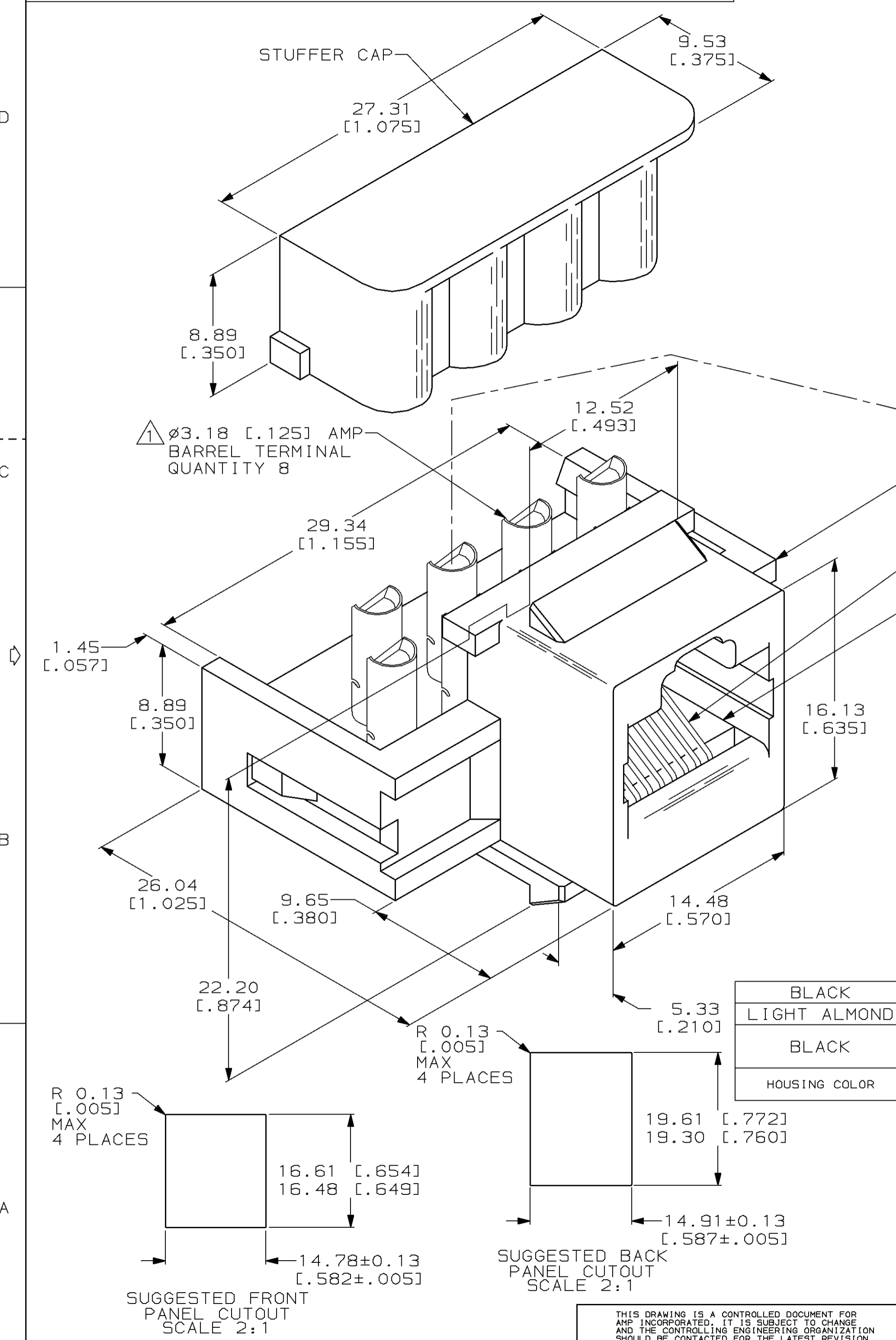


LOC	DIST	P	F	ZONE	LTR	DESCRIPTION	DATE	APPD
AA	28				H	REV; EC0210-0266-94	5-9-94	TCS NJ



- 1. BARREL TERMINAL WIRE RANGE: 19-28 AWG SOLID OR STRANDED WIRE. MAXIMUM INSULATION DIAMETER IS 1.65 [.065].
- 2. MOUNTING PANEL THICKNESS: 1.57 [.062] NOMINAL.
- 3. MATERIALS:
 8 POSITION STUFFER CAP - POLYCARBONATE, NATURAL.
 DISCRETE STUFFER CAP - NYLON 6/6.
 BARREL TERMINAL - TIN COATED PHOSPHOR BRONZE.
 CONTACTS - NICKEL PLATED HIGH STRENGTH COPPER ALLOY HAVING SELECTIVE GOLD PLATING ON CONTACT AREA AND SELECTIVE TIN PLATING ON BARREL TERMINAL AREA.
 HOUSING AND KEYSTONE - THERMOPLASTIC, 94 V-0 RATED, SEE TABLE FOR COLORS.
- 4. STUFFER CAPS SHIPPED NOT ASSEMBLED.
- 5. BARREL TERMINALS WILL ACCOMMODATE ONE OR TWO WIRES OF THE SAME TYPE AND WITHIN PLUS OR MINUS ONE WIRE GAUGE SIZE.
- 6. KIT BULK PACKAGED 200 PER CARTON.

HOUSING COLOR	STUFFER CAP COLOR	WIRE RANGE	DESCRIPTION	PART NO
BLACK	NATURAL	22-26 AWG	KIT WITH 1 EIGHT POSITION STUFFER CAP	554578-5
LIGHT ALMOND	NATURAL	22-26 AWG	KIT WITH 1 EIGHT POSITION STUFFER CAP	554578-4
BLACK	NATURAL	24-28 AWG	KIT WITH 8 DISCRETE STUFFER CAPS	554578-2
BLACK	NATURAL	22-26 AWG	KIT WITH 1 EIGHT POSITION STUFFER CAP	554578-1

DO NOT SCALE PRINT. UNLESS SPECIFIED DIMENSIONS IN mm [INCHES] TOLERANCES ON: 2 PLC DEC ± 0.25 [.01] 3 PLC DEC ± 0.25 [.010] ANGLES ± -	DR 5-9-94 T. SPRINKLE/UTA	AMP Incorporated Harrisburg, PA 17105-3608
MATERIAL	CHK 5-16-94 N. JONES	
FINISH	APPD 5-16-94 C. CHANDLER	NAME KEYSTONE JACK KIT, 8 POSITION, COMMERCIAL
	APPD 5-16-94 J. SCHLUNZ	SIZE C 00779
	PRODUCT SPEC	DRAWING NO C=554578
	APPLICATION SPEC	SCALE 4:1
	WEIGHT -	SHEET 1 OF 1